

D

Rev 161024

01.初版

Rev 161107

- 01.删除屏蔽盖焊点
- 02.修改PCB底部丝印
- 03.批量生产2000台

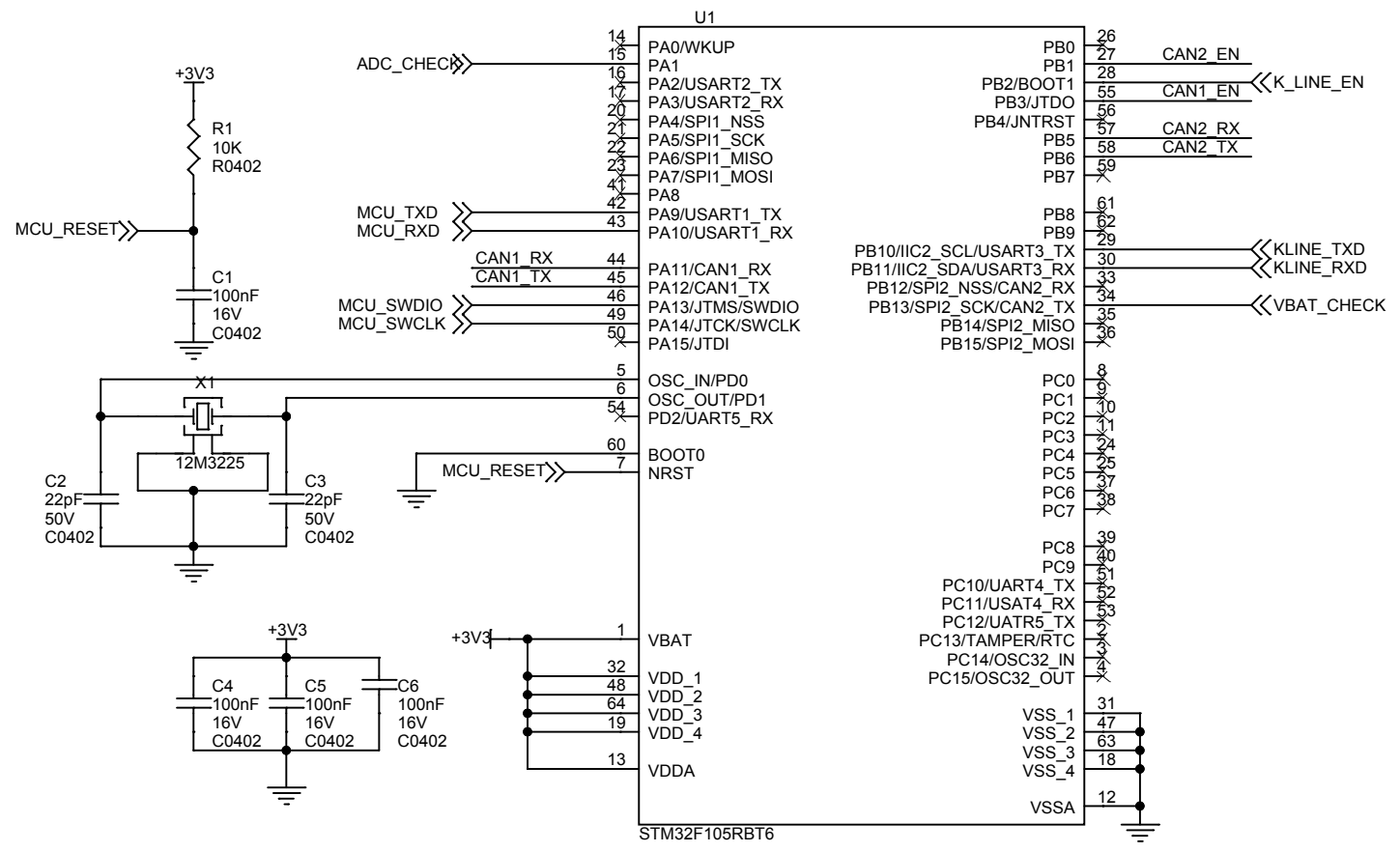
C

B

A

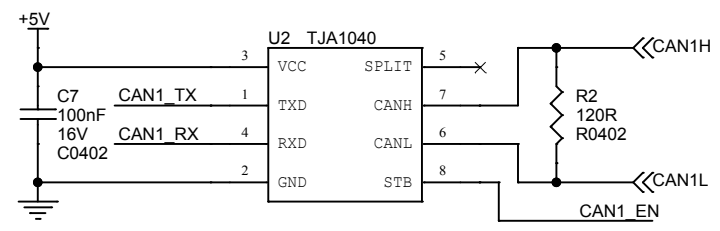
Thread		Prj EST580	Page Revision
Size A4	Drawn <Drawn>	Check <Check>	Rev 161107
Date: Monday, November 07, 2016		Sheet 1	OF 3

MCU

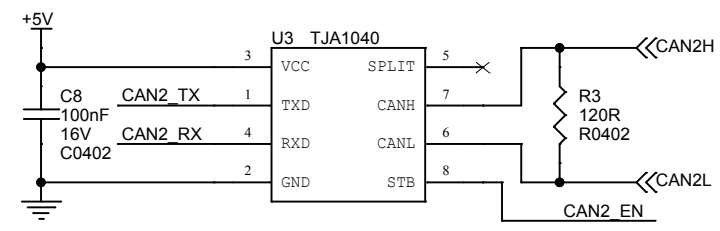


STM32F105RBT6

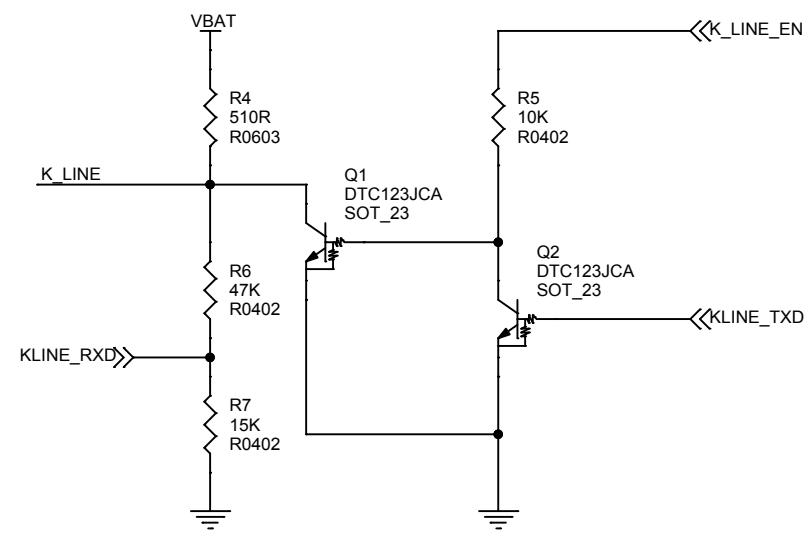
CAN1



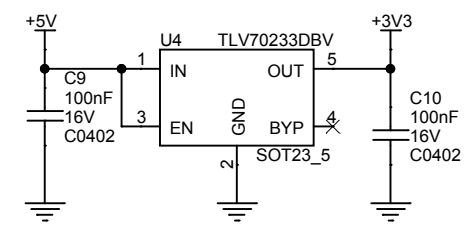
CAN2



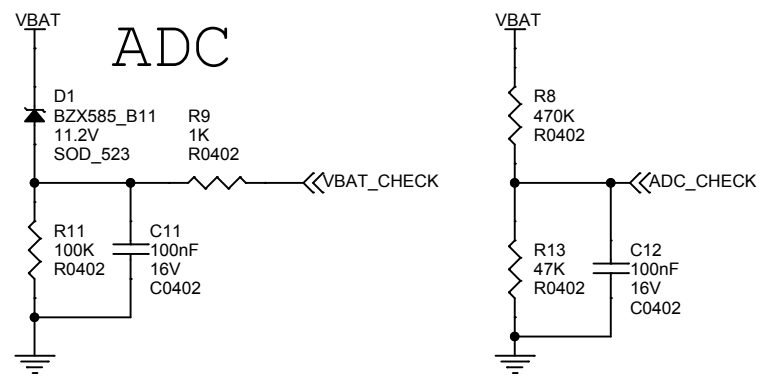
K_LINE



POWER



ADC



CONNECT

